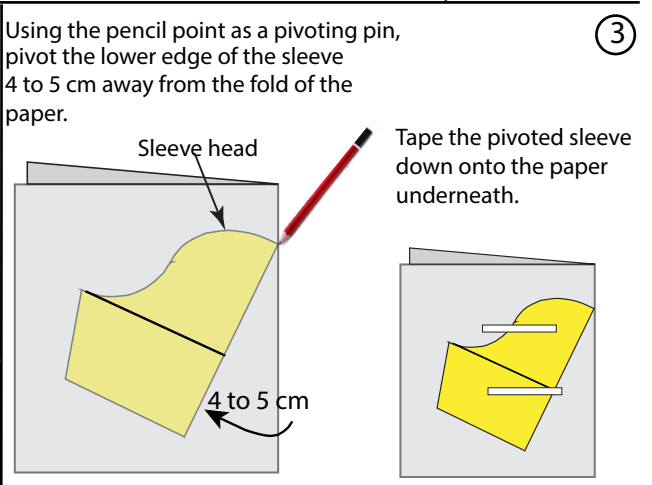
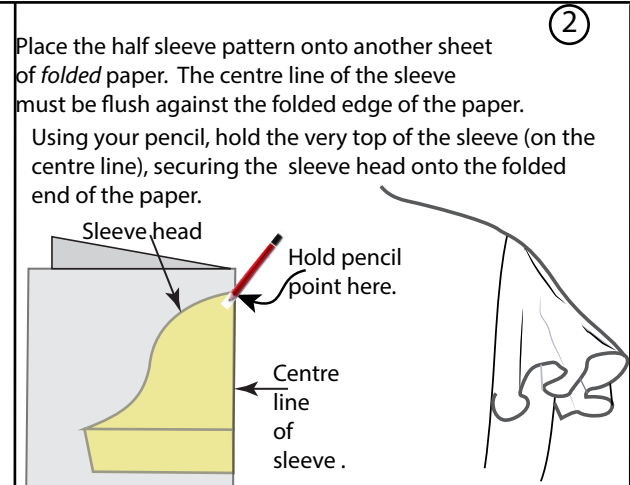
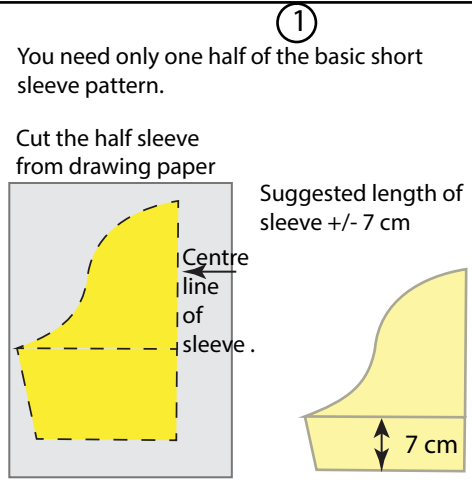


# Single Layer Flared Sleeve

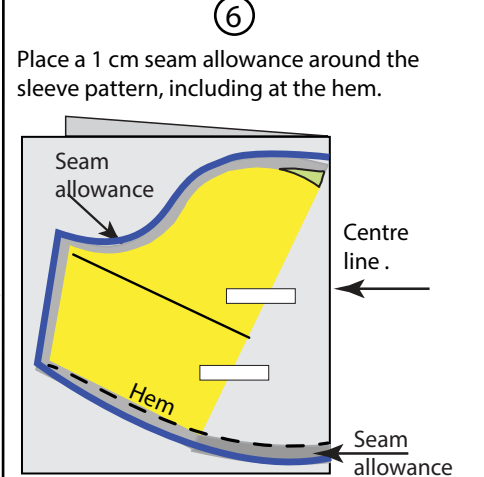
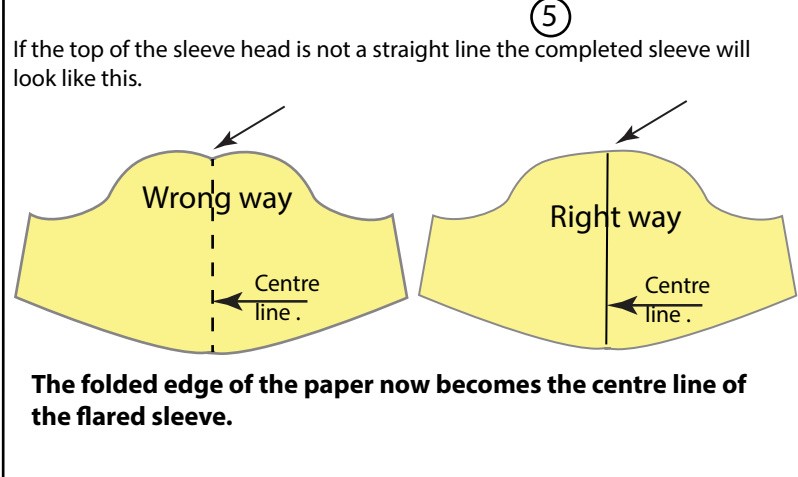
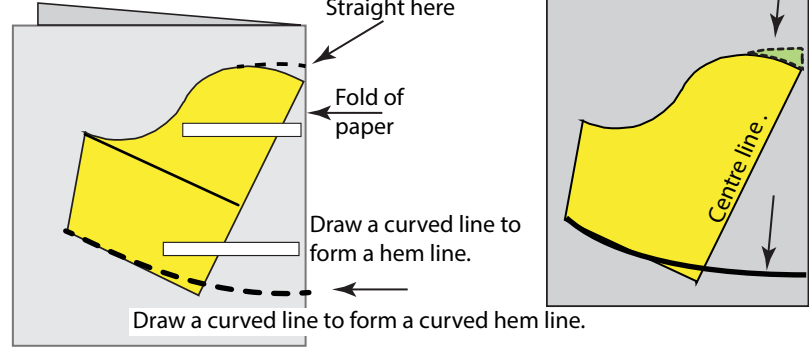
# Butterfly Sleeve Pivot the Sleeve to Create Different Sleeve Styles. Part 1



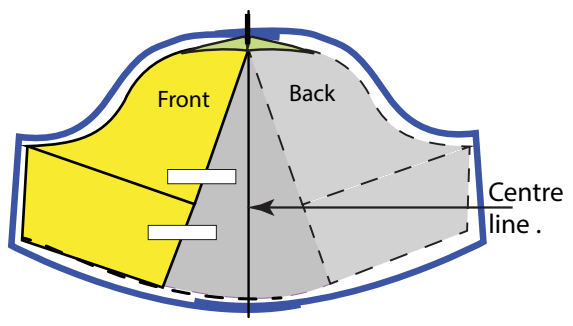
Single layer flared (butterfly) sleeve



Shape the top of the sleeve head to meet the fold of paper, with a slight curve. The top of the sleeve head must be almost a straight line.

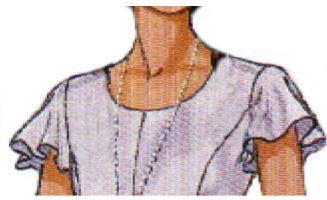
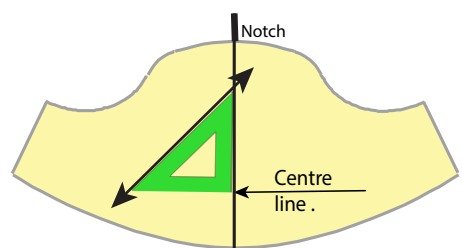


⑦ Open up the folded paper. Cut the sleeve pattern from the paper along the seam allowance.



⑧ This flared style must be cut on the bias of the fabric.

Make a notch at the top of the centre line, on the sleeve head. This notch is the sewing guide to line up with the shoulder seam on the bodice.



Should you prefer to shape the front sleeve. Open up the folded paper. Shape the front sleeve head by raising the upper curve by 1 cm and lowering the lower curve 1 cm. Refer to page 52, diagram 5 for more info on this.

